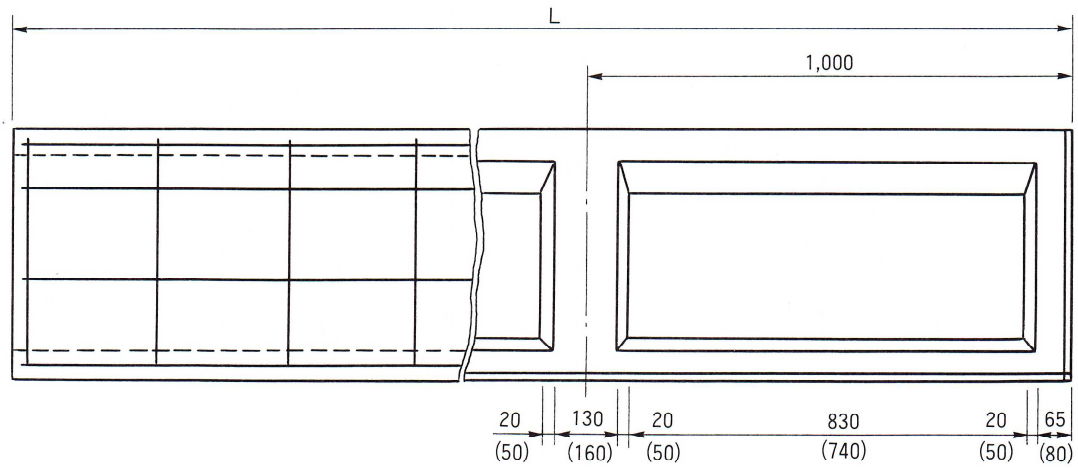
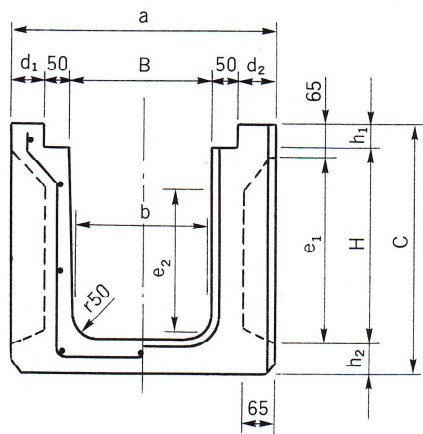
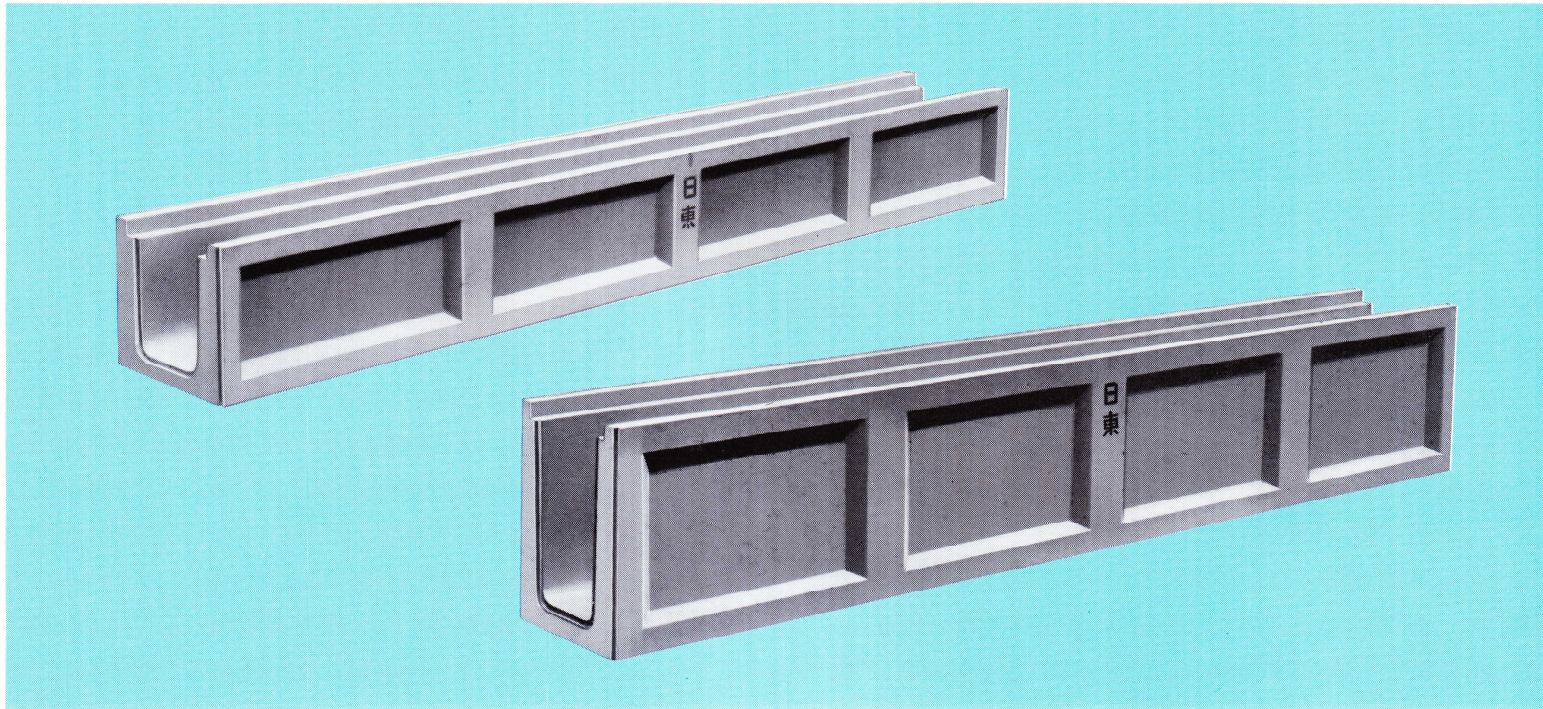


NFタイプ (120×120) ●歩道用



()内数字はNF4-55

■寸法表

呼び名	寸法 (mm)												参考重量 (kg)
	B	H	L	a	b	c	d ₁	d ₂	e ₁	e ₂	h ₁	h ₂	
NF4-35	300	350	4,000	540	290	465	70	70	335	250	50	65	910
NF4-45	"	450	"	"	"	565	"	"	435	350	"	"	1,036
NF4-55	"	550	"	"	"	680	"	"	520	420	"	80	1,297
寸法の許容差	±3	±3	±10	±3	±3	±3	±3	±3	—	—	±3	±3	—